

**KMT Aqua-Dyne Dump Guns Are Used Worldwide For These Water Blasting Applications:**

- Marine - Ship/Dock Cleaning
- Oilfield - Pipe Cleaning
- Mining - Unclog Machinery
- Automotive - Paint Booth Cleaning
- Aviation - Clean Fluids on Runways
- Power Station - Nuclear Decontamination

**...and MUCH MORE!**

## Water Blasting DUMP-GUNS

*Efficient, Safe,  
Easy To Use!*

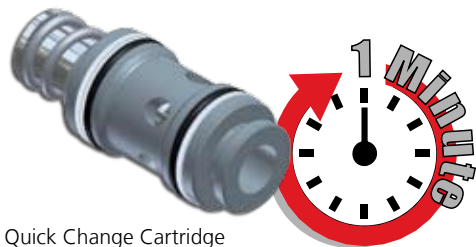


15,000 PSI  
Dump Gun

**KMT Aqua-Dyne Inc.'s water blasting dump guns are designed to minimize trigger pull while ensuring that the release of the trigger will quickly reduce the system pressure to a minimum.**

### **KMT Aqua-Dyne 15,000 & 20,000 PSI Dump Guns:**

- Most widely used style of water blasting gun in the industry for surface cleaning applications.
- Pistol grip style gun with the trigger guard and safety trigger lock to prevent accidental engagement of the trigger.
- Fore grip and shoulder stock can be adjusted for safety and comfort.
- Lightweight for ease of use.
- 48" front barrel meets WJTA Safety Standards.
- Equipped with quick change cartridge assembly for easy field maintenance---*1 minute in most cases!*



Quick Change Cartridge

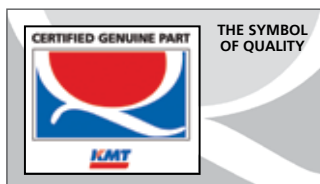
Part #	Maximum Working Pressure	Connections	
		Inlet	Outlet
20003-01	15,000 PSI (1035 bar)	½" NPT (M)	¼" NPT (F)
20003-02	20,000 PSI (1379 bar)	9/16" MP (M)	¼" NPT (F)



20,000 PSI Dump Gun

Call KMT Aqua-Dyne Technical Support to discuss your application or to receive more information on any of our high pressure products.

KMT Aqua-Dyne offers a complete line of genuine KMT parts & accessories (seals, nozzles, hoses, Shape Jets & safety shrouds) to keep your pump running at top performance.



### Zero Thrust Water Blasting Gun (Sub-sea Gun)

- The Zero Thrust Gun is used for underwater cleaning of barnacles and marine growth, paint scale and rust from ships, offshore structures and a variety of other underwater cleaning applications.
- Incorporates a unique baffle cover to provide balanced thrust and steadying gun operation.
- Like all KMT Aqua-Dyne hand guns, this model has a safety lock to prevent accidental engagement of the trigger.
- Equipped with quick change cartridge piston seal assy.
- Weight is approximately 15.2 lbs.
- 48" front barrel meets WJTA Safety Standards.

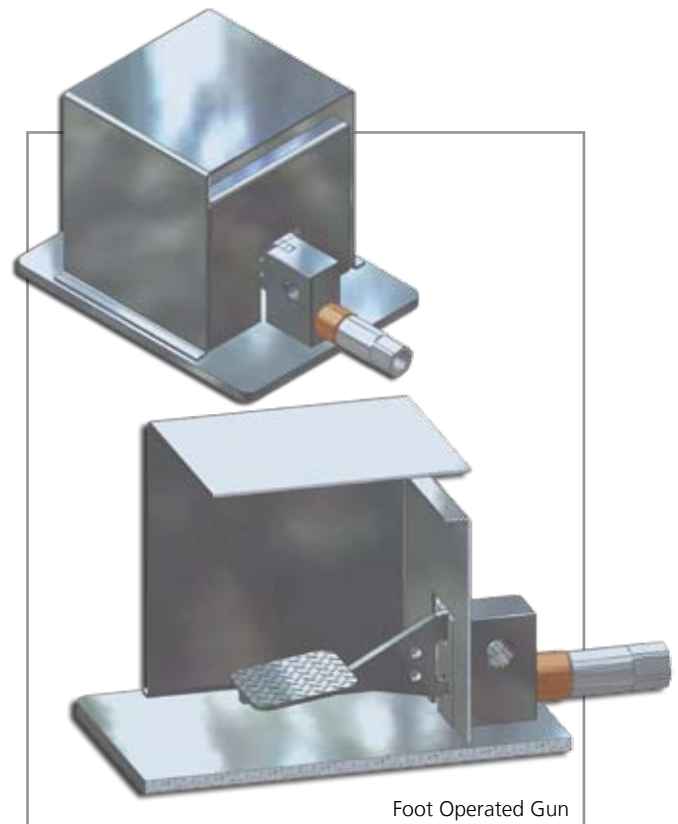


20,000 PSI Zero Thrust Gun

Part #	Maximum Working Pressure	Connections	
		Inlet	Outlet
20001-01	20,000PSI (1379 bar)	9/16" MP	1/4" NPT

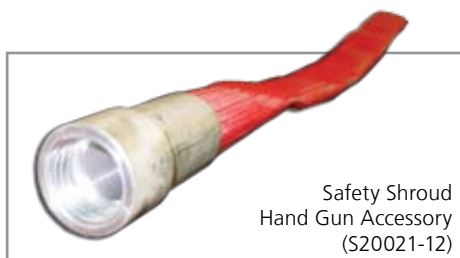
### Foot Operated Gun

- The foot style water blasting gun is designed to provide long lasting performance in the most rugged and demanding environments.
- The operator's foot controls the pressure leaving both hands free to feed and return flex lances, hoses, etc.
- Equipped with quick change cartridge piston seal assy.
- Textured non-slip foot pedal is enclosed for added safety.
- Weight of the gun is approximately 15.2 lbs.



Foot Operated Gun

Part #	Maximum Working Pressure	Connections	
		Inlet	Outlet
20000-01	15,000PSI (1035 bar)	1/2" NPT	1/2" NPT
20000-02	20,000 PSI (1379 bar)	9/16" AE MP (F)	9/16" AE MP (F)



Safety Shroud  
Hand Gun Accessory  
(S20021-12)

Authorized Distributor:



### KMT Aqua-Dyne Inc.

3620 West 11th Street • Houston, TX 77008  
Tel.: 1-713-864-6929 • Fax: 1-713-864-0313  
www.kmtgroup.com • sales@aqua-dyne.com